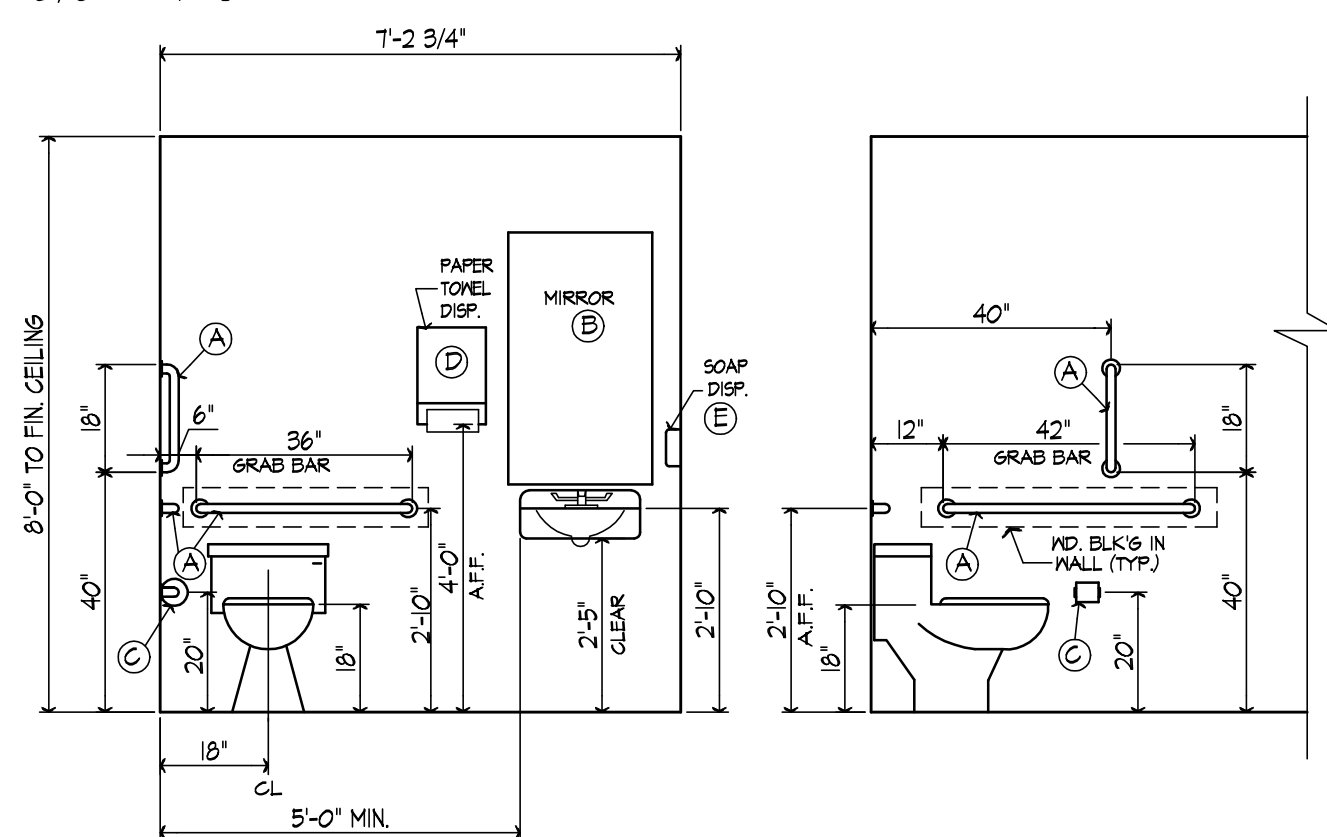


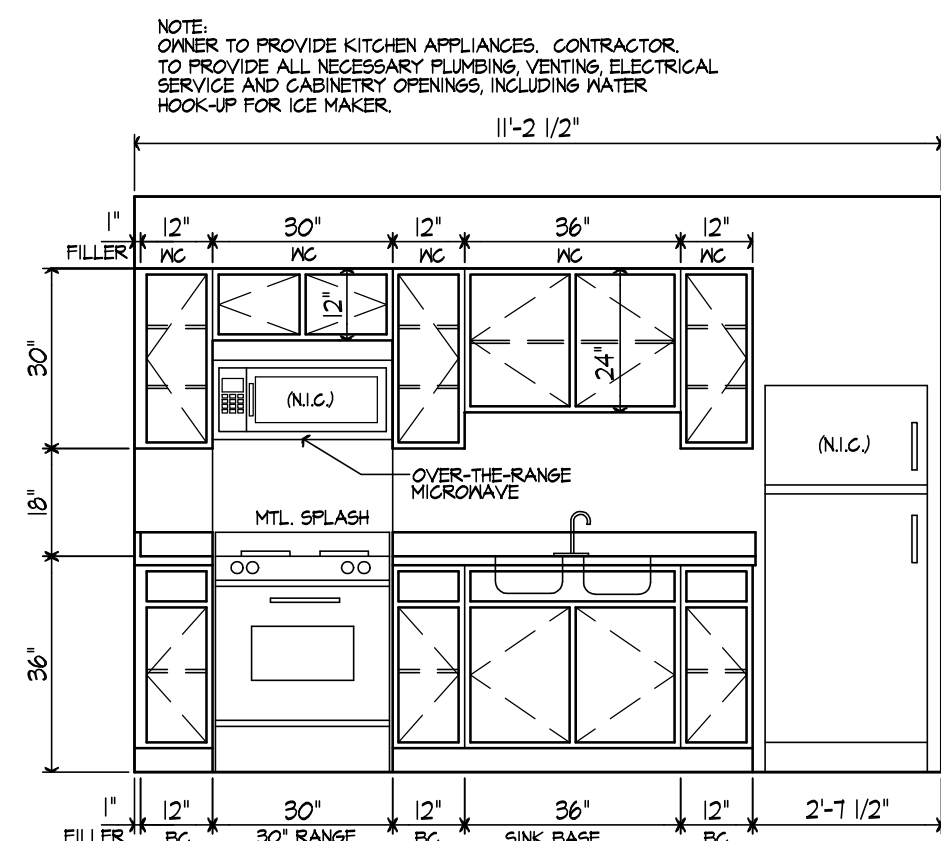
INTERIOR ELEVATIONS

3/8" = 1'-0"

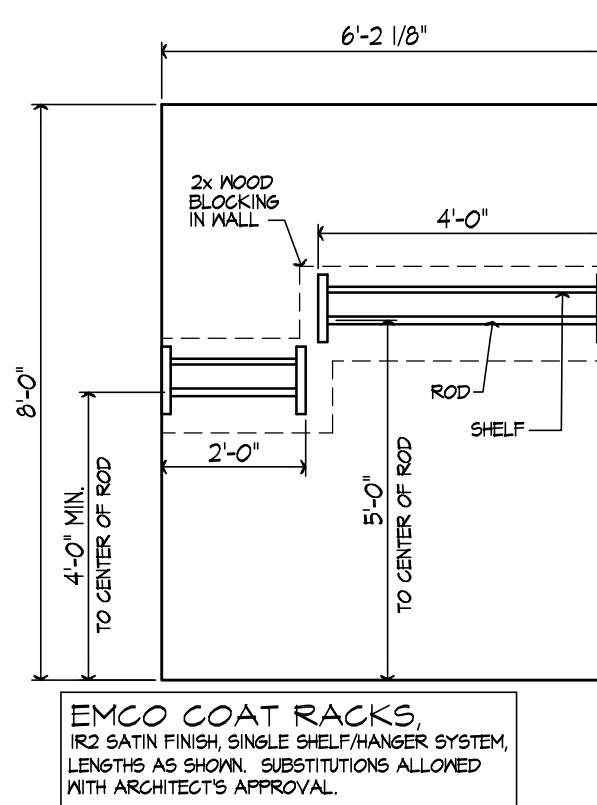


1 WOMEN (109)
MEN (110) - Opp. View

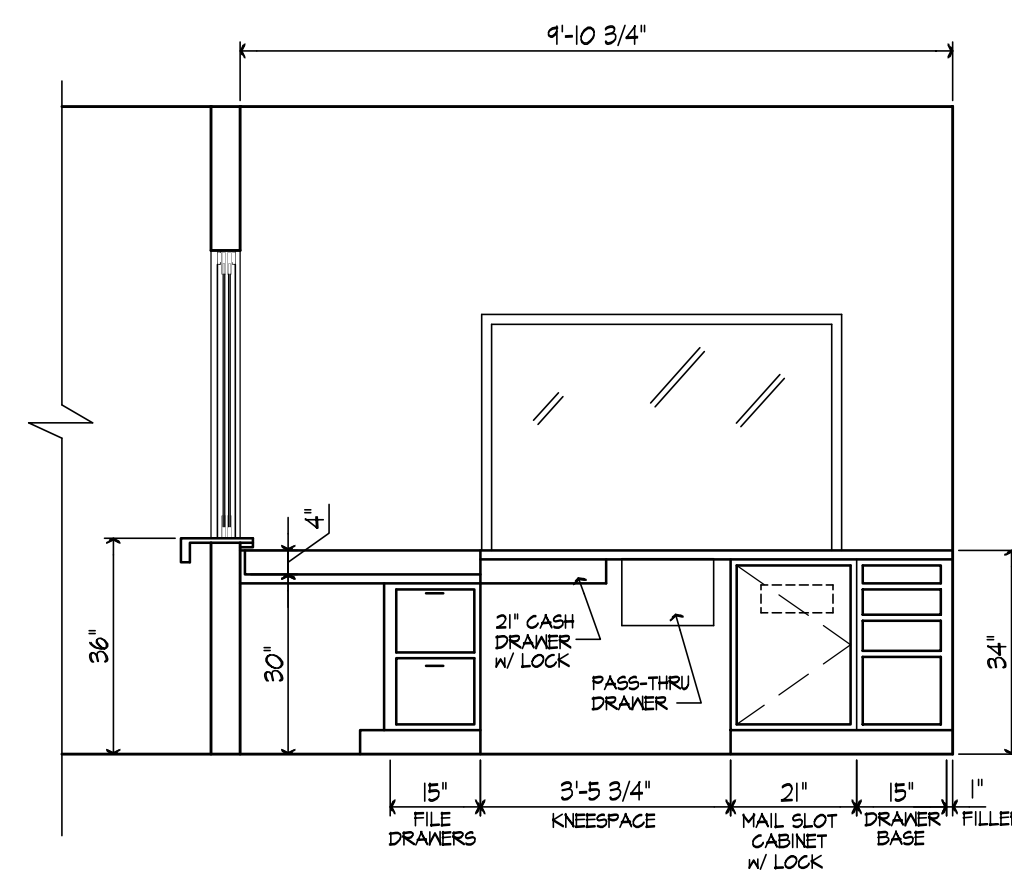
2 TYPICAL SIDE VIEW
(for ADA toilet & accessories)



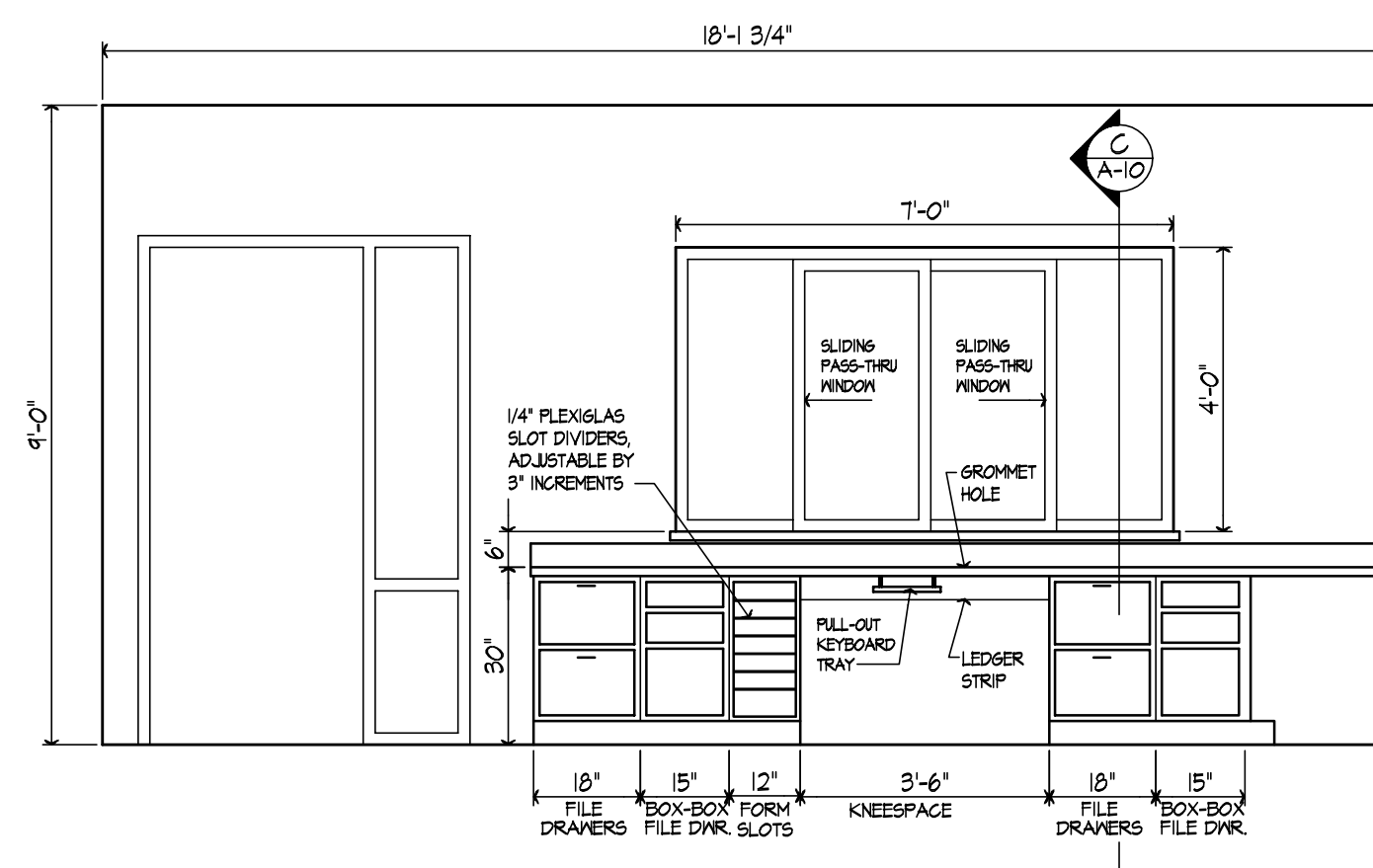
3 BREAK ROOM (112)



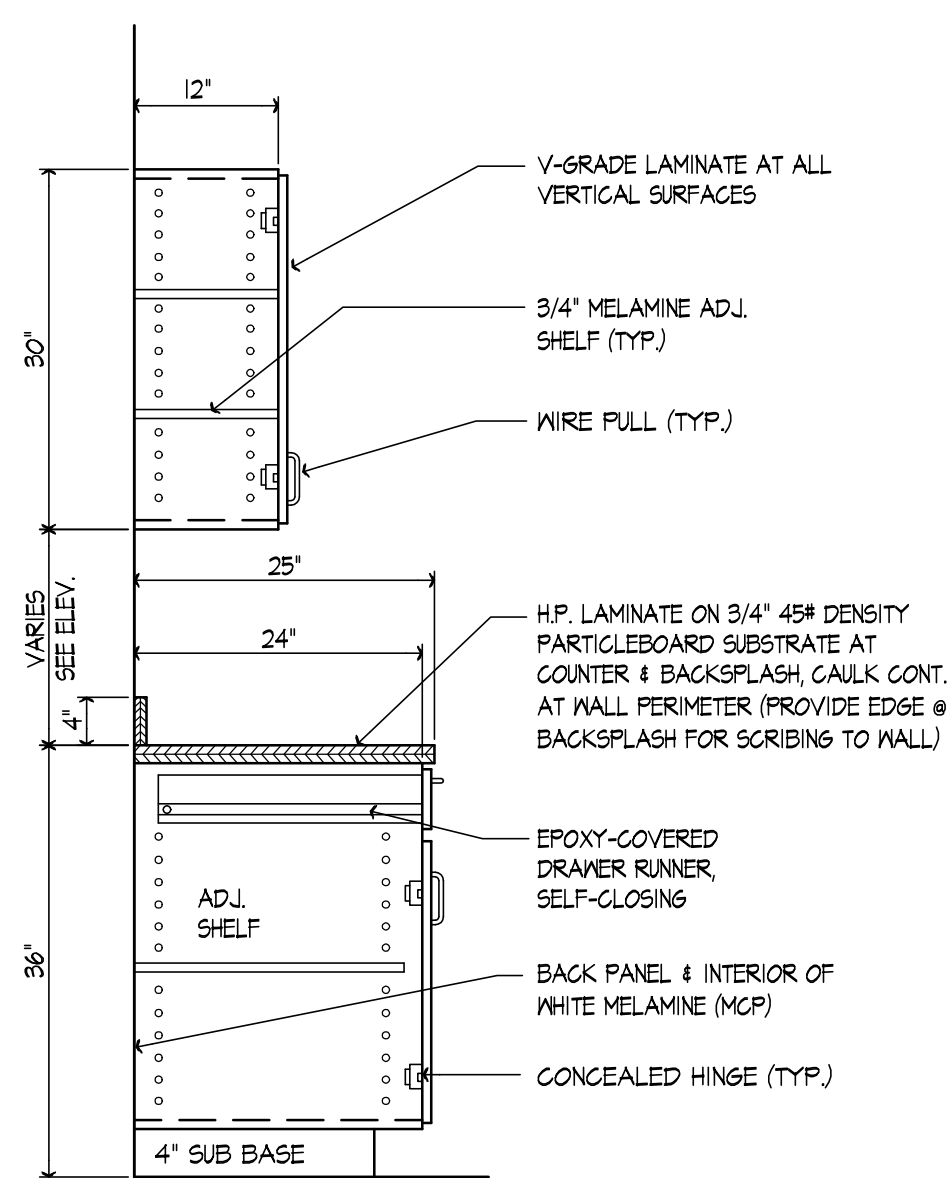
4 CONFERENCE (108)



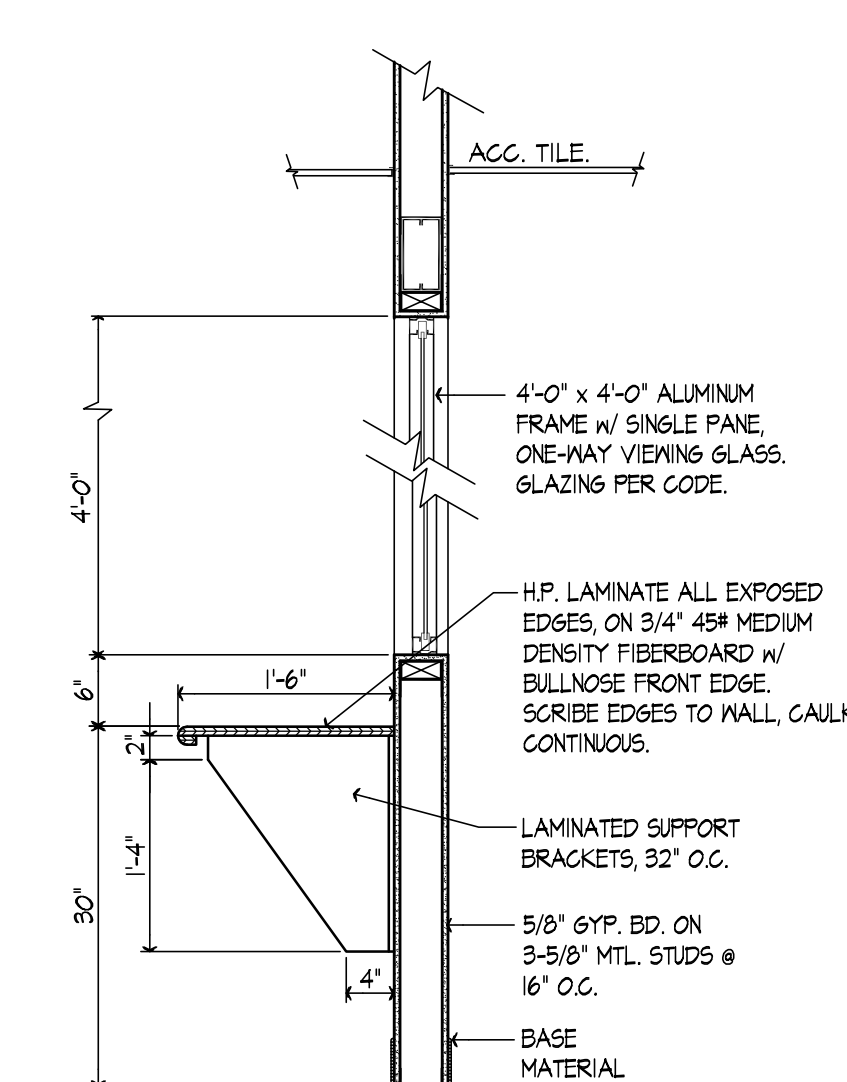
5 ASST. CITY CLERK (101)



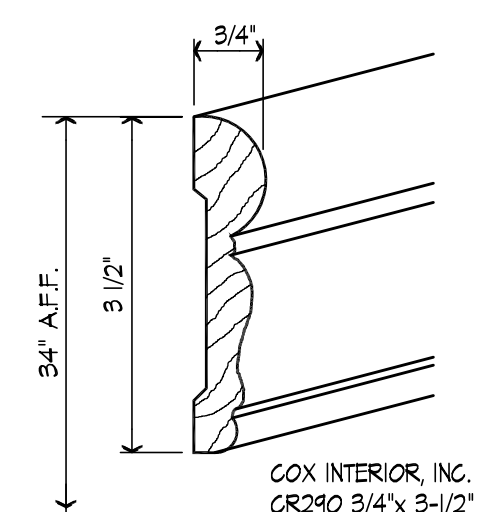
6 ASST. CITY CLERK (101)



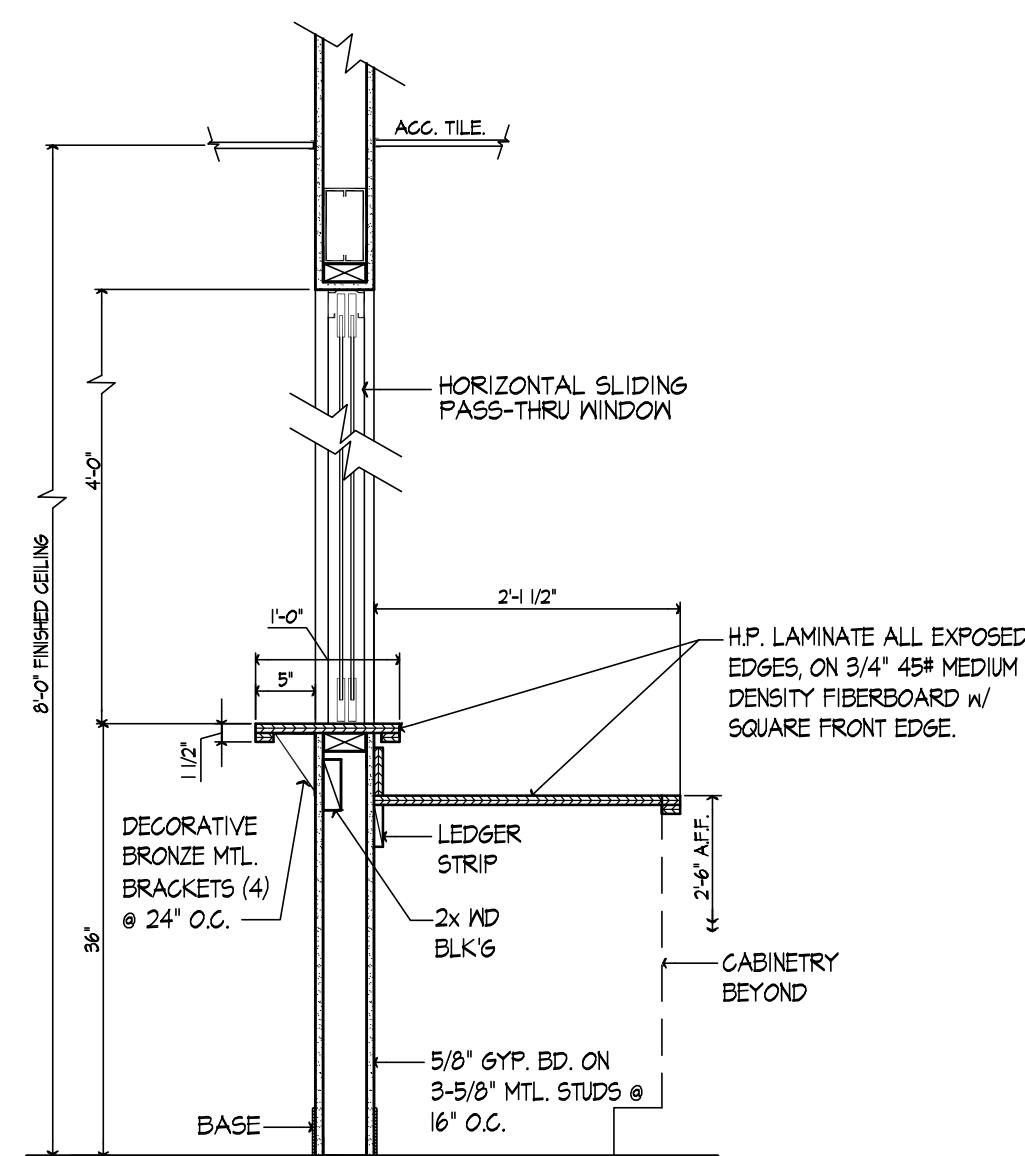
TYP. LAMINATE
CABINETS
SCALE: 3/4"=1'-0" (A)



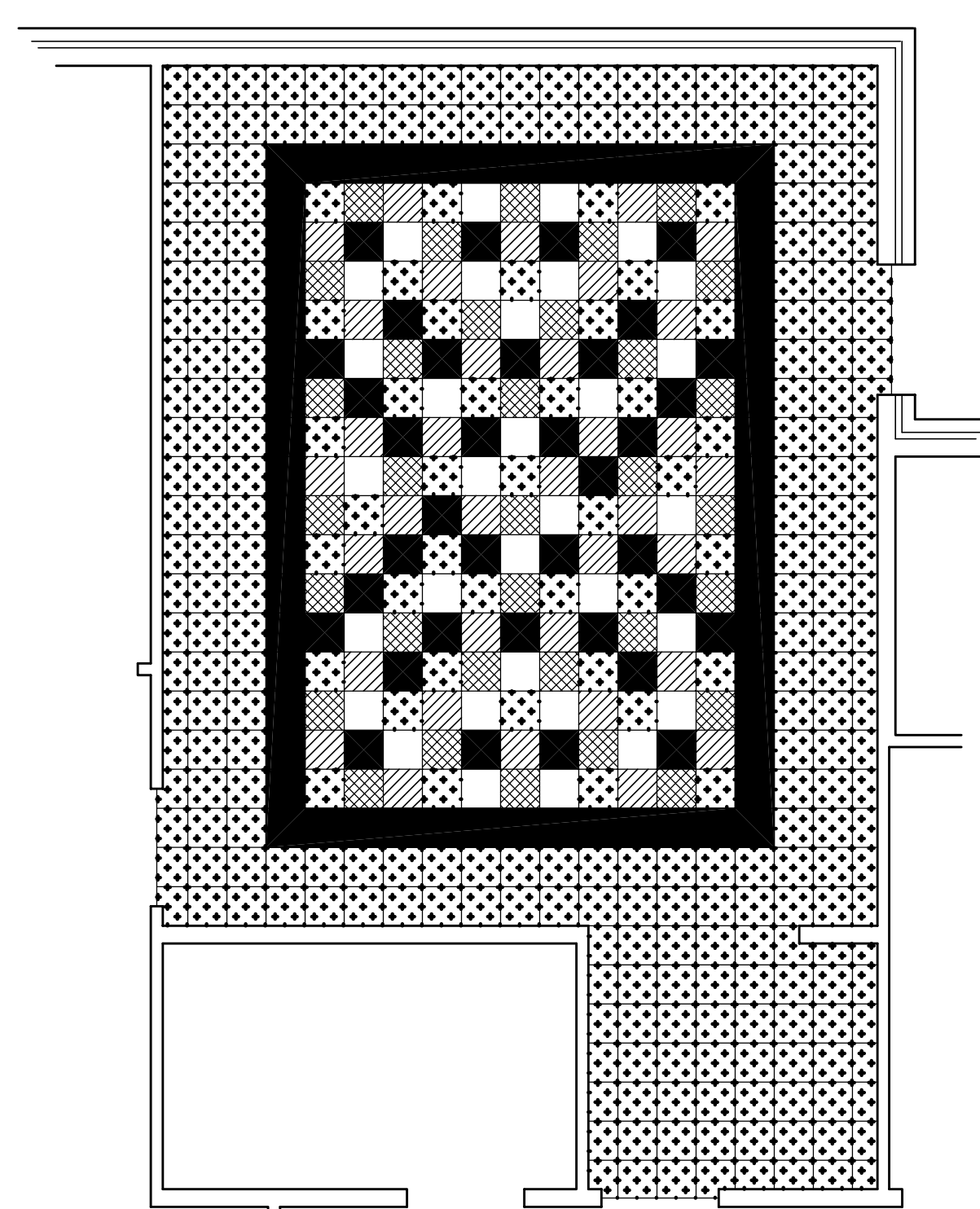
VIEWING WINDOW (B)
SCALE: 3/4"=1'-0" (A-10)



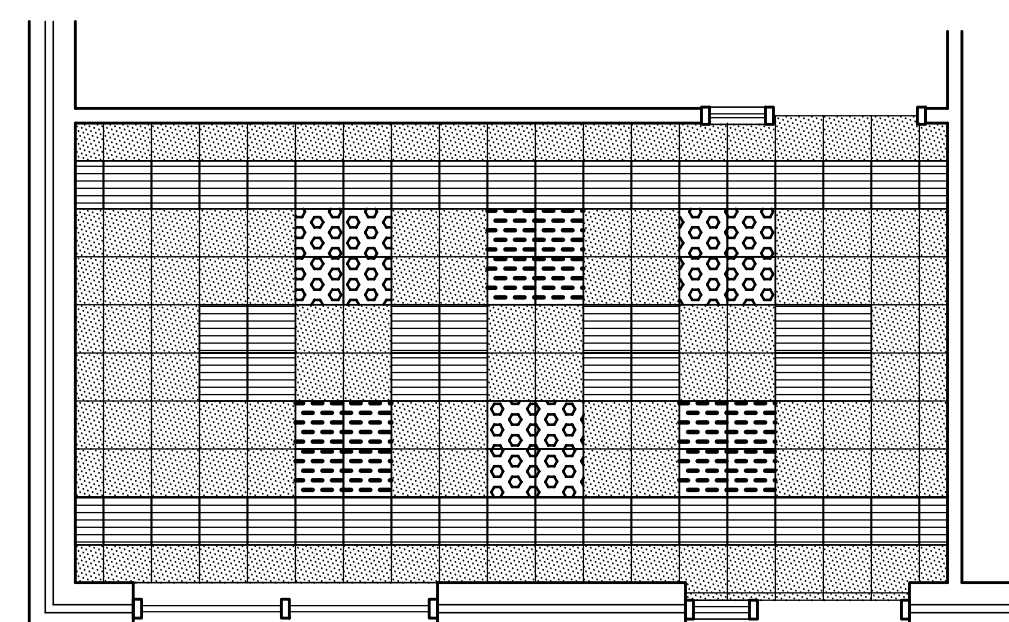
CHAIR RAIL (F)
N.T.S. (A-10)



RECEPTION COUNTER (C)
SCALE: 3/4"=1'-0" (A-10)



CONFERENCE ROOM (108)
TILE PATTERN (D)
SCALE: 1/4"=1'-0" (A-10)



LOBBY (100)
TILE PATTERN (E)
SCALE: 1/4"=1'-0" (A-10)

TILE COLOR KEY

- VCT-1 Azrock Vinyl Composition Tile
Color: V-210 Oats
- VCT-2 Azrock Vinyl Composition Tile
Color: V-222 Stonebed
- VCT-3 Azrock Vinyl Composition Tile
Color: V-225 Milkshake
- VCT-4 Azrock Vinyl Composition Tile
Color: V-2606 Toasted Cinnamon
- VCT-5 Azrock Vinyl Composition Tile
Color: V-2628 Sangria
- VCT-6 Azrock Vinyl Composition Tile
Color: V-230 Soggybottom
- VCT-7 Azrock Vinyl Composition Tile
Color: V-251 Baked Brick
- VCT-8 Azrock Vinyl Composition Tile
Color: V-269 Statement Red
- VCT-9 Azrock Vinyl Composition Tile
Color: V-232 Asphalt

FINISH SCHEDULE

ROOM #	ROOM NAME	FLOOR	BASE	WALLS & TRIM	MISC.	CLG.	CLG. HT.
100	LOBBY		VCT-1	B-1	P-1	L-1	9'-0"
101	ASST. CITY CLERK	C-1	B-1	P-2	L-2	L-3	8'-0"
102	CITY CLERK OFFICE	C-1	B-1	P-2			9'-0"
103	ZONING OFFICE	C-1	B-1	P-2			9'-0"
104	RECORDS	VCT-1	B-1	P-2			8'-0"
105	MAYOR OFFICE	C-1	B-1	P-2			9'-0"
106	CORRIDOR	VCT-1,2,3	B-1	P-4			8'-0"
107	STORAGE	VCT-1	B-1	P-4			8'-0"
108	CONFERENCE ROOM	VCT-1	B-1	P-5, P-6			8'-0"/9'-0"
109	WOMEN	PT-1	B-1	P-1			8'-0"
110	MEN	PT-1	B-1	P-1			8'-0"
111	MECHANICAL/ELECTRICAL		B-1	P-4			+/- 10'-4"
112	BREAK ROOM	VCT-1,2,3	B-1	P-1	L-1	WOOD	8'-0"
113	POLICE OFFICE	VCT-1,2,3	B-1	P-2			9'-0"
114	INTERVIEW ROOM	VCT-1	B-1	P-4			8'-0"
115	VIEWING ROOM	VCT-1	B-1	P-2	L-2		8'-0"
116	EVIDENCE STORAGE		B-1	P-4		P-7	+/- 10'-4"
117	SERGEANT OFFICE	VCT-1	B-1	P-2			9'-0"
118	LIEUTENANT OFFICE	VCT-1	B-1	P-2			9'-0"
119	POLICE CHIEF OFFICE	VCT-1	B-1	P-2			9'-0"

FINISH SPECIFICATIONS

FLOORS:
C-1 J & J Commercial Carpet
Style Twelve 7891, Color Amalgam 1471

VCT-1 Azrock Vinyl Composition Tile
Color: V-210 Oats

VCT-2 Azrock Vinyl Composition Tile
Color: V-222 Stonebed

VCT-3 Azrock Vinyl Composition Tile
Color: V-225 Milkshake

VCT-4 Azrock Vinyl Composition Tile
Color: V-2606 Toasted Cinnamon

VCT-5 Azrock Vinyl Composition Tile
Color: V-2628 Sangria

VCT-6 Azrock Vinyl Composition Tile
Color: V-230 Soggybottom

VCT-7 Azrock Vinyl Composition Tile
Color: V-251 Baked Brick

VCT-8 Azrock Vinyl Composition Tile
Color: V-269 Statement Red

VCT-9 Azrock Vinyl Composition Tile
Color: V-232 Asphalt

PT-1 Crossville Ceramics
"Value Classics" Color - Sand Bisque, 12"x12"
w/ TEC Colored Grout - #832 Mocha

BASE:
B-1 Johnsonite Vinyl Wall Base
4" Cove Base, color 63 - Burnt Umber

WALLS:
P-1 Glidden Paints, #A 1754 Hudson River Stone
P-2 Glidden Paints, #A 1755 Stone Harbor
P-3 Glidden Paints, #A 0286 Swedish Berry
P-4 Glidden Paints, #A 1788 Beachcomber
P-5 Glidden Paints, #A 0662 Eldorado Tan
P-6 Glidden Paints, #A 0342 Goodwin Court
P-7 Glidden Paints, #A 013 White High-Hiding RM
P-8 Glidden Paints, #A 2014 Obsidian Glass

CEILINGS:
A-1 Armstrong "Fire Fused"
#128, 24"x24"x5/8" square lay-in
P-4 Glidden Latex Flat, High-Hiding White,
on finished gypsum board

PLASTIC LAMINATES:
L-1 Formica #3450-58 Mineral Jet
L-2 Arborite #P-314-FP Tappexa
L-3 Arborite #N-430-VL Pacan Tekka

NOTES:

- A) All trim at interior doors to be painted with Finish P-8.
- B) All interior doors to be solid wood, Oak with a dark brown manufacturer's finish.
- C) All plastic laminated window stools to be finished with plastic laminate finish L-2.
- D) Accent paint at rear wall of Asst. City Clerk (101).
- E) Wood chair rail mounted 34" a.f.f. to be painted with Finish P-7, Interior Latex Semi-gloss enamel. See Detail F/A-10.
- F) Painted finish ABOVE painted chair rail at 34" a.f.f.
- G) Painted finish BELOW chair rail.
- H) See floor tile patterns for specified area.
- I) Vinyl Composition Tile (VCT-1, VCT-2 and VCT-3) to be installed with alternating grain and in random pattern using equal proportion of the 3 colors.
- J) Wood cabinets in Break Room (112) to be Oak with a dark brown finish, raised-panel door style.

CITY OF STANTON
CITY HALL & POLICE STATION
STANTON, KENTUCKY

BY: _____
REVISION: _____
DATE: _____

PROJECT NO. 4065-04
DESIGNED BY: _____
DRAWN BY: _____
CHECKED BY: _____
DATE: JUNE 2015
SCALE: AS NOTED

Engineers
Architects
Planners

MS&E
OF KENTUCKY, INC.

624 Wellington Way
Lexington, KY 40503
www.ms&e.com

Phone: (859) 223-5694
Fax: (859) 223-2607

DRAWING NO.
A-10
SHEET OF